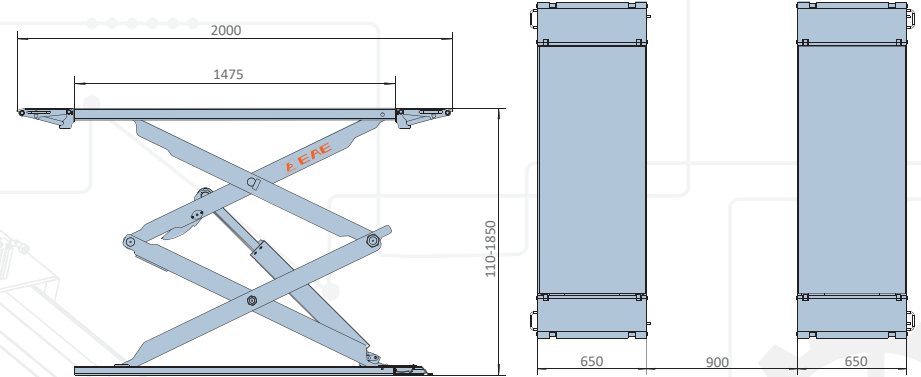


110MM Drive-on Height | Curved Type Starting up plate | ALS Automatic Levelling System(Optional)



OVERALL DIMENSION



SCISSOR LIFT



Mechanical Safety Lock



Drive-on Ramp & Platform Extension



EE-6501V2

FULL RISE SCISSOR LIFT

- 3000kg lifting capacity.
- Above-ground or recessed installation.
- 110mm initial height.
- Infrared synchronization protection system.
- Four cylinder design
- Pneumatic safety locking system
- Drive-on ramps lock into position as platform extensions.
- Steady raising and lowering, no noise when lowered to ground.
- Durable cylinders with anti-surge valves
- 24V safe control system.
- Height limit switch
- Powder coated finish
- Self-lubricated bushing and bearing.
- Aluminum motor with fan on top to avoid overheating caused by long time working.

TECHNICAL DATA

MODEL NO.	EE-6501V2
Lifting capacity	3000kg
Max lifting height	1850mm
Min height	110mm
Lifting time	50S-60S
Motor	2.2kW/3.5kW
Air supply	6-8bar
Platform width	650mm
Weight	900kg
Electricity supply	According To Customer Needs

* Machine shown with optional equipment. Actual product appearance may differ.

